

High Performance In Today's HVAC Industry



American Standard Capacitors





• Corporate Profile	3
• Technology	4
• Assembly & Testing	5
• Specifications & Applications	6
• Physical Configuration/Dimensions	7
• Part Nomenclature	8
• Single Round & Oval Capacitors	9/10
• Dual Round & Oval capacitors	11/12
• Packing Details	13
• Terms & Conditions	14

ERAVCO is a leading manufacturer of AC capacitors, pressure controls, and service equipment headquartered in Boca Raton, Florida (USA). The company sells its products worldwide to Authorized Distributors and Original Equipment Manufacturers (OEMs).

Markets for VACCAP products include residential and commercial air-conditioning, refrigeration, special applications such as recovery and recycling equipment, as well as automotive and heat pump systems

Product offering

We offer a full line of general purpose AC capacitors including motor run and fan capacitors. Our capacitors range from 2.5 μ F to 100 μ F in round and oval, single and dual types with voltages ranging from 115-450VAC.

Standards

VACCAP products are manufactured at a state-of-the-art ISO9001:2008 facility. Our products are RoHs compliant and are UL & CE approved.



Innovation

VACCAP is actively contributing to customers cost reduction programs and providing customers with innovative products to fit their customized applications .

Services

VACCAP offers a variety of services, including stocking programs, customized packing and private label programs. The company has extensive experience in export operations, including logistics and documentation preparation, as well as multilingual personnel to ensure complete customer satisfaction

Core Values

- Commitment
- Respect
- Empowerment
- Adaptability
- Teamwork
- Excellence



Technology

Metallized polypropylene oil-filled capacitors manufactured by VACCAP offer improved performance and proven reliability in split phase motor, compressor, filter, and general AC applications. The Metallized polypropylene capacitor is self healing. Any defect occurs in the dielectric is automatically “cleared” within microseconds, and the capacitor continues to function at full efficiency. The metallized electrode evaporates around the defect allowing full functionality of the components with negligible capacitance loss

Dual Capacitor Element

The dual, round concentric capacitor element was developed in response to HVAC application requirements. In a typical Air-conditioning system there are two required capacitors, one for the single phase compressor and another capacitor for the fan motor. VACCAP utilizes state-of-the-art winding technology to wind these two capacitors into one concentric element, resulting in a more compact package and increased cost savings.

Single Capacitor Element

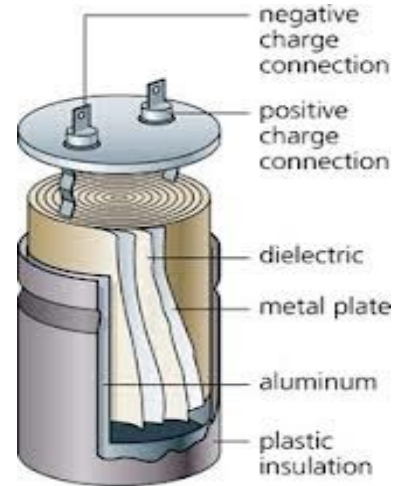
The master rolls of metallized film are split into specific widths based on capacitor model. These rolls are placed on high speed, computer controlled winding machines where the capacitor section is wound into discrete capacitor elements. Once the section is wound, the ends are completely covered with a conductive end-spray and thermally cured to relieve any material stresses and stabilize the capacitance



SINGLE / DUAL; ROUND/ OVAL CAPACITORS

Cover Assembly

The capacitor element is housed in a steel, aluminum, or plastic case with a cover. Both metal housings use a steel cover assembly, consisting of the cover, terminals, and a pressure interrupter. The interrupter is a safety feature applied on all VACCAP capacitors. If the capacitor experiences a failure that disrupts the dielectric system, internal pressure builds up. The interrupter is designed to internally disconnect the tabs from the terminals. This creates an open circuit before allowing the case to rupture preventing a potentially dangerous catastrophic failure



Final Assembly & Testing

VACCAP capacitors are filled with a specially formulated organic fluid, ECCOL II, which provides optimal heat Transfer, arc suppression, and shock absorption. After filling, VACCAP capacitors are Double roll seamed and tested. 100% of VACCAP Capacitors undergo a rigorous final electrical and quality inspection before being labeled and packed



VACCAP Specs

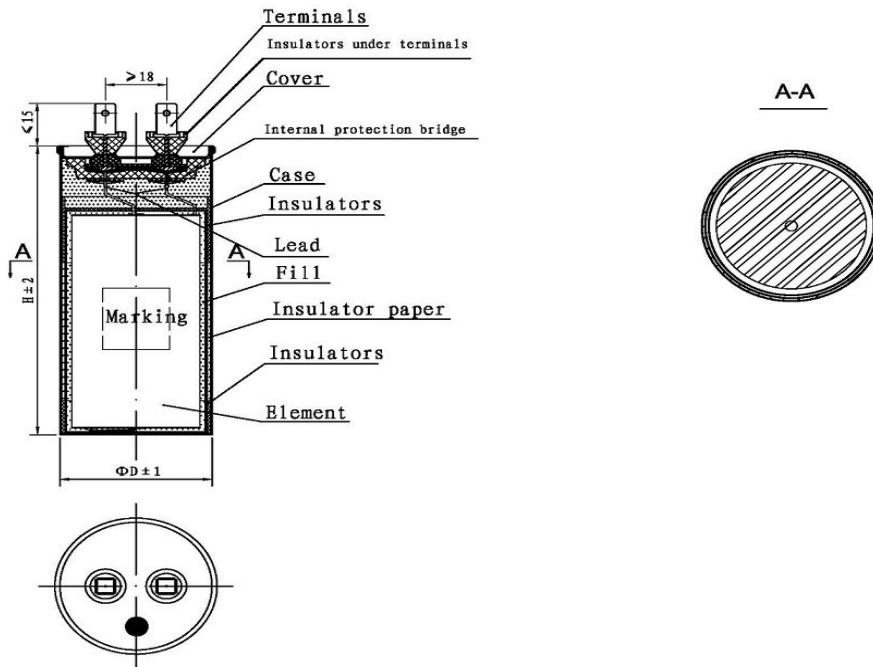
- **Internal Construction:** Self-Healing metallized polypropylene film
- **Dielectric Fluid:** Eccol II. IIIB Liquid NFPA Classifications
- **Cover Material:** Tin Plated Steel
- **Case Material:** Aluminum or Tin Plate Steel
- **Interrupter:** Pressure sensitive, UL Recognized. Rated for 10,000AFC
- **Terminals:** Multiple blades (3 or 4), tinned steel quick connect .025 in (6.35 mm) x .032 in (.0813 mm)
- **Capacitor Tolerance:** $\pm 5\%$ std., $\pm 3\%$, and $\pm 10\%$ available

Applications for VACCAP

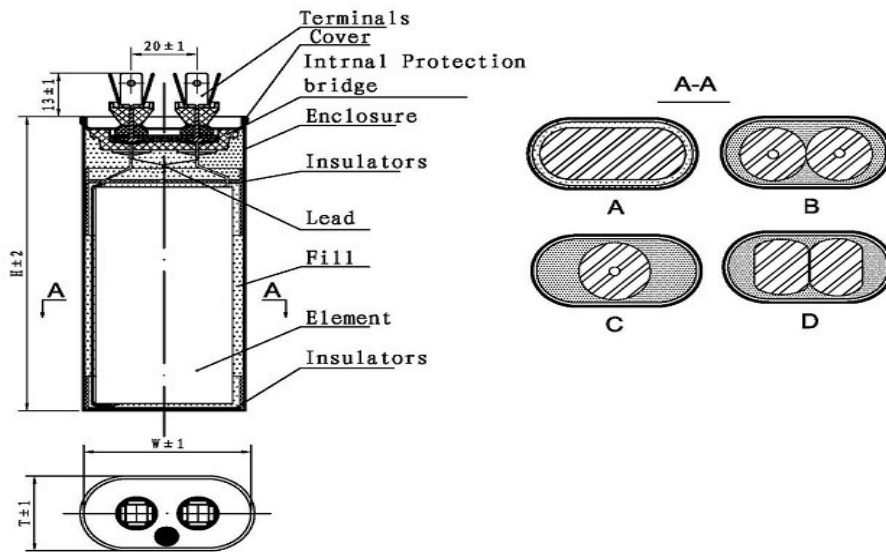
- **Permanent Split Capacitor (PSC)**
Fans, blowers, operations with low starting torque, gate operators, garage door openers, and pumps.
- **Run/Start Capacitor Motors**
High Starting torque requirement
- **Single Phase Compressors**
Refrigeration, Air-Conditioning, Ice Machines, and Heats Pumps

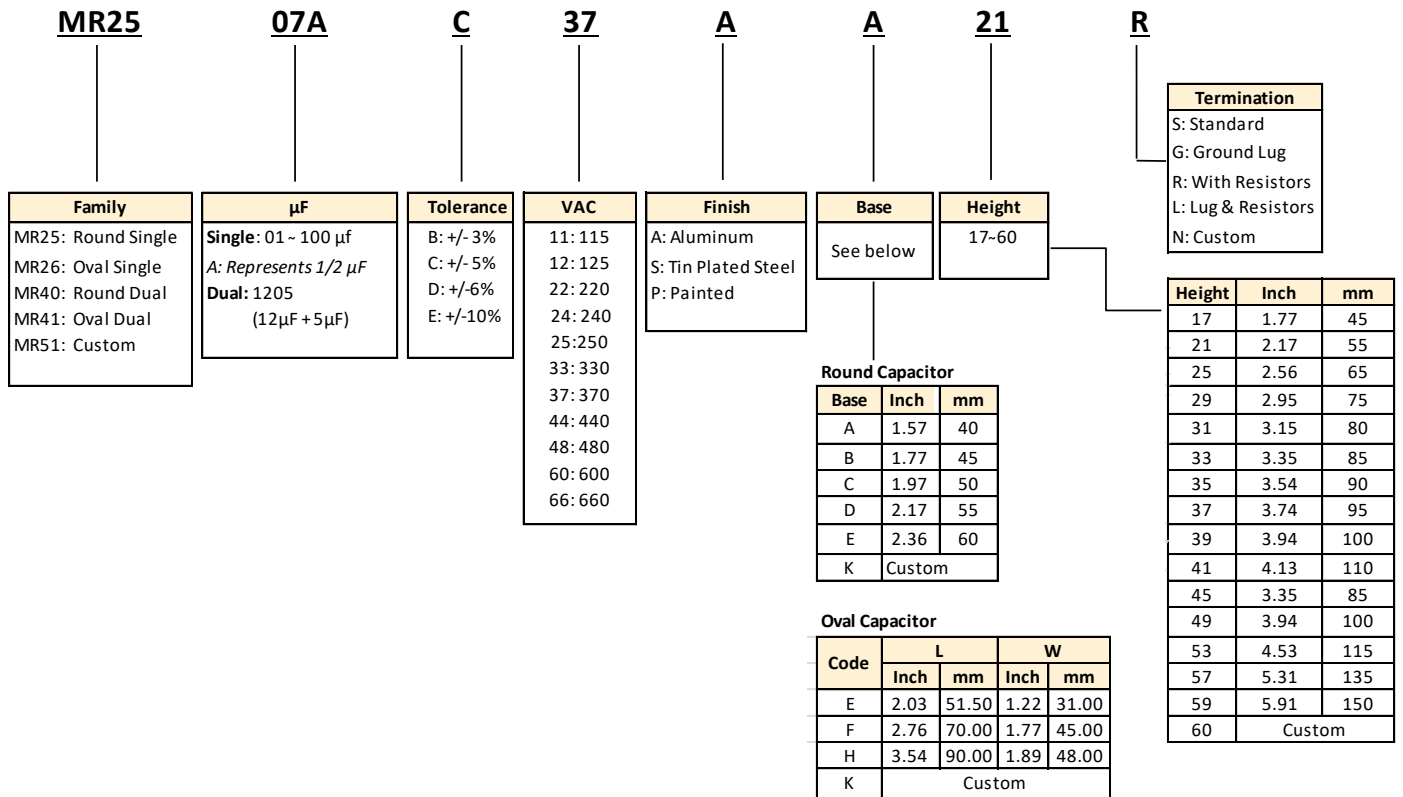


Physical Configuration—Round



Physical Configuration—Oval Capacitor





SINGLE CAPACITORS 240VAC 50/60HZ									
ROUND					OVAL				
Part Number	CAP 1 μ F	Temp $^{\circ}$ C	Case (mm)	Case (inch)	Part Number	CAP 1 μ F	Temp $^{\circ}$ C	Case (mm)	Case (inch)
MR2502AC24AA17R	2.5	70	40 x 45	1.57 x 1.77	MR2602AC24AE17R	2.5	70	52.5 x 32.5 x 45	2.07 x 1.28 x 1.77
MR25003C24AA21R	3	70	40 X 55	1.57 X 2.17	MR26003C24AE21R	3	70	52.5 X 32.5 X 55	2.07 x 1.28 x 2.17
MR25004C24AA21R	4	70	40 X 55	1.57 X 2.17	MR26004C24AE21R	4	70	52.5 X 32.5 X 55	2.07 x 1.28 x 2.17
MR25005C24AA21R	5	70	40 x 55	1.57 x 2.17	MR26005C24AE21R	5	70	52.5 x 32.5 x 55	2.07 x 1.28 x 2.17
MR2507AC24AA21R	7.5	70	40 x 55	1.57 x 2.17	MR2607AC24AE21R	7.5	70	52.5 x 32.5 x 55	2.07 x 1.28 x 2.17
MR25010C24AB21R	10	70	45 x 55	1.77 x 2.17	MR26010C24AE25R	10	70	52.5 x 32.5 x 65	2.07 x 1.28 x 2.56
MR25015C24AB25R	15	85	45 x 65	1.77 x 2.56	MR26015C24AE29R	15	85	52.5 x 32.5 x 75	2.07 x 1.28 x 2.95
MR25020C24AB29R	20	85	45 x 75	1.77 x 2.95	MR26020C24AF25R	20	85	70 x 45 x 65	2.76 x 1.77 x 2.56
MR25025C24AC29R	25	85	50 x 75	1.97 x 2.95	MR26025C24AF29R	25	85	70 x 45 x 75	2.76 x 1.77 x 2.95
MR25025C24AC33R	30	85	50 x 85	1.97 x 3.35	MR26030C24AF33R	30	85	70 x 45 x 85	2.76 x 1.77 x 3.35
MR25035C24AC39R	35	85	50 x 100	1.97 x 3.94	MR26035C24AF33R	35	85	70 x 45 x 85	2.76 x 1.77 x 3.35
MR25040C24AC39R	40	85	50 x 100	1.97 x 3.94	MR26040C24AF39R	40	85	70 x 45 x 100	2.76 x 1.77 x 3.94
MR25045C24AD39R	45	85	55 x 100	2.17 x 3.94	MR26045C24AF39R	45	85	70 x 45 x 100	2.76 x 1.77 x 3.94
MR25050C24AD39R	50	85	55 x 100	2.17 x 3.94	MR26050C24AF45R	50	85	70 x 45 x 115	2.76 x 1.77 x 4.53
MR25055C24AD45R	55	85	55 x 115	2.17 x 4.53	MR26055C24AF45R	55	85	70 x 45 x 115	2.76 x 1.77 x 4.53
MR25060C24AD45R	60	85	55 x 115	2.17 x 4.53	MR26060C24AF53R	60	85	70 x 45 x 135	2.76 x 1.77 x 5.31
MR25065C24AE45R	65	85	60 x 115	2.36 x 4.53	MR26065C24AF53R	65	85	70 x 45 x 135	2.76 x 1.77 x 5.31
MR25070C24AE45R	70	85	60 x 115	2.36 x 4.53	MR26070C24AH59R	70	85	70 x 45 x 150	2.76 x 1.77 x 5.91
MR25075C24AE45R	75	85	60 x 115	2.36 x 4.53	MR26075C24AH45R	75	85	90 x 48 x 115	3.54 x 1.89 x 4.53
MR25080C24AE49R	80	85	60 x 125	2.36 x 4.92	MR26080C24AH45R	80	85	90 x 48 x 115	3.54 x 1.89 x 4.53
MR25090C24AE59R	90	85	60 x 150	2.36 x 5.91	MR26090C24AH49R	90	85	90 x 48 x 125	3.54 x 1.89 x 4.92
MR25100C24AE59R	100	85	60 x 150	2.36 x 5.91	MR26100C24AH59R	100	85	90 x 48 x 150	3.54 x 1.89 x 5.91

SINGLE CAPACITORS 370VAC 50/60HZ									
ROUND					OVAL				
Part Number	CAP 1 μ F	Temp $^{\circ}$ C	Case (mm)	Case (inch)	Part Number	CAP 1 μ F	Temp $^{\circ}$ C	Case (mm)	Case (inch)
MR2502AC37AA17R	2.5	70	40 x 45	1.57 x 1.77	MR2602AC37AE17R	2.5	70	52.5 x 32.5 x 45	2.07 x 1.28 x 1.77
MR25003C37AA21R	3	70	40 X 55	1.57 X 2.17	MR26003C37AE21R	3	70	52.5 X 32.5 X 55	2.07 x 1.28 x 2.17
MR25004C37AA21R	4	70	40 X 55	1.57 X 2.17	MR26004C37AE21R	4	70	52.5 X 32.5 X 55	2.07 x 1.28 x 2.17
MR25005C37AA21R	5	70	40 x 55	1.57 x 2.17	MR26005C37AE21R	5	70	52.5 x 32.5 x 55	2.07 x 1.28 x 2.17
MR2507AC37AA21R	7.5	70	40 x 55	1.57 x 2.17	MR2607AC37AE21R	7.5	70	52.5 x 32.5 x 55	2.07 x 1.28 x 2.17
MR25010C37AB21R	10	70	45 x 55	1.77 x 2.17	MR26010C37AE25R	10	70	52.5 x 32.5 x 65	2.07 x 1.28 x 2.56
MR25015C37AB25R	15	85	45 x 65	1.77 x 2.56	MR26015C37AE29R	15	85	52.5 x 32.5 x 75	2.07 x 1.28 x 2.95
MR25020C37AB29R	20	85	45 x 75	1.77 x 2.95	MR26020C37AF25R	20	85	70 x 45 x 65	2.76 x 1.77 x 2.56
MR25025C37AC29R	25	85	50 x 75	1.97 x 2.95	MR26025C37AF29R	25	85	70 x 45 x 75	2.76 x 1.77 x 2.95
MR25025C37AC33R	30	85	50 x 85	1.97 x 3.35	MR26030C37AF33R	30	85	70 x 45 x 85	2.76 x 1.77 x 3.35
MR25035C37AC39R	35	85	50 x 100	1.97 x 3.94	MR26035C37AF33R	35	85	70 x 45 x 85	2.76 x 1.77 x 3.35
MR25040C37AC39R	40	85	50 x 100	1.97 x 3.94	MR26040C37AF39R	40	85	70 x 45 x 100	2.76 x 1.77 x 3.94
MR25045C37AD39R	45	85	55 x 100	2.17 x 3.94	MR26045C37AF39R	45	85	70 x 45 x 100	2.76 x 1.77 x 3.94
MR25050C37AD39R	50	85	55 x 100	2.17 x 3.94	MR26050C37AF45R	50	85	70 x 45 x 115	2.76 x 1.77 x 4.53
MR25055C37AD45R	55	85	55 x 115	2.17 x 4.53	MR26055C37AF45R	55	85	70 x 45 x 115	2.76 x 1.77 x 4.53
MR25060C37AD45R	60	85	55 x 115	2.17 x 4.53	MR26060C37AF53R	60	85	70 x 45 x 135	2.76 x 1.77 x 5.31
MR25065C37AE45R	65	85	60 x 115	2.36 x 4.53	MR26065C37AF53R	65	85	70 x 45 x 135	2.76 x 1.77 x 5.31
MR25070C37AE45R	70	85	60 x 115	2.36 x 4.53	MR26070C37AH59R	70	85	70 x 45 x 150	2.76 x 1.77 x 5.91
MR25075C37AE45R	75	85	60 x 115	2.36 x 4.53	MR26075C37AH45R	75	85	90 x 48 x 115	3.54 x 1.89 x 4.53
MR25080C37AE49R	80	85	60 x 125	2.36 x 4.92	MR26080C37AH45R	80	85	90 x 48 x 115	3.54 x 1.89 x 4.53
MR25090C37AE59R	90	85	60 x 150	2.36 x 5.91	MR26090C37AH49R	90	85	90 x 48 x 125	3.54 x 1.89 x 4.92
MR25100C37AE59R	100	85	60 x 150	2.36 x 5.91	MR26100C37AH59R	100	85	90 x 48 x 150	3.54 x 1.89 x 5.91

SINGLE CAPACITORS 440VAC 50/60HZ									
ROUND					OVAL				
Part Number	CAP 1 μ F	Temp $^{\circ}$ C	Case (mm)	Case (inch)	Part Number	CAP 1 μ F	Temp $^{\circ}$ C	Case (mm)	Case (inch)
MR2502AC44AA17R	2.5	70	40 x 45	1.57 x 1.77	MR2602AC44AE17R	2.5	70	52.5 x 32.5 x 45	2.07 x 1.28 x 1.77
MR25003C44AA21R	3	70	40 X 55	1.57 X 2.17	MR26003C44AE21R	3	70	52.5 X 32.5 X 55	2.07 x 1.28 x 2.17
MR25004C44AA21R	4	70	40 X 55	1.57 X 2.17	MR26004C44AE21R	4	70	52.5 X 32.5 X 55	2.07 x 1.28 x 2.17
MR25005C44AA21R	5	70	40 x 55	1.57 x 2.17	MR26005C44AE21R	5	70	52.5 x 32.5 x 55	2.07 x 1.28 x 2.17
MR2507AC44AA21R	7.5	70	40 x 55	1.57 x 2.17	MR2607AC44AE21R	7.5	70	52.5 x 32.5 x 55	2.07 x 1.28 x 2.17
MR25010C44AB21R	10	70	45 x 55	1.77 x 2.17	MR26010C44AE25R	10	70	52.5 x 32.5 x 65	2.07 x 1.28 x 2.56
MR25015C44AB25R	15	85	45 x 65	1.77 x 2.56	MR26015C44AE29R	15	85	52.5 x 32.5 x 75	2.07 x 1.28 x 2.95
MR25020C44AB29R	20	85	45 x 75	1.77 x 2.95	MR26020C44AF25R	20	85	70 x 45 x 65	2.76 x 1.77 x 2.56
MR25025C44AC29R	25	85	50 x 75	1.97 x 2.95	MR26025C44AF29R	25	85	70 x 45 x 75	2.76 x 1.77 x 2.95
MR25025C44AC33R	30	85	50 x 85	1.97 x 3.35	MR26030C44AF33R	30	85	70 x 45 x 85	2.76 x 1.77 x 3.35
MR25035C44AC39R	35	85	50 x 100	1.97 x 3.94	MR26035C44AF33R	35	85	70 x 45 x 85	2.76 x 1.77 x 3.35
MR25040C44AC39R	40	85	50 x 100	1.97 x 3.94	MR26040C44AF39R	40	85	70 x 45 x 100	2.76 x 1.77 x 3.94
MR25045C44AD39R	45	85	55 x 100	2.17 x 3.94	MR26045C44AF39R	45	85	70 x 45 x 100	2.76 x 1.77 x 3.94
MR25050C44AD39R	50	85	55 x 100	2.17 x 3.94	MR26050C44AF45R	50	85	70 x 45 x 115	2.76 x 1.77 x 4.53
MR25055C44AD45R	55	85	55 x 115	2.17 x 4.53	MR26055C44AF45R	55	85	70 x 45 x 115	2.76 x 1.77 x 4.53
MR25060C44AD45R	60	85	55 x 115	2.17 x 4.53	MR26060C44AF53R	60	85	70 x 45 x 135	2.76 x 1.77 x 5.31
MR25065C44AE45R	65	85	60 x 115	2.36 x 4.53	MR26065C44AF53R	65	85	70 x 45 x 135	2.76 x 1.77 x 5.31
MR25070C44AE45R	70	85	60 x 115	2.36 x 4.53	MR26070C44AH59R	70	85	70 x 45 x 150	2.76 x 1.77 x 5.91
MR25075C44AE45R	75	85	60 x 115	2.36 x 4.53	MR26075C44AH45R	75	85	90 x 48 x 115	3.54 x 1.89 x 4.53
MR25080C44AE49R	80	85	60 x 125	2.36 x 4.92	MR26080C44AH45R	80	85	90 x 48 x 115	3.54 x 1.89 x 4.53
MR25090C44AE59R	90	85	60 x 150	2.36 x 5.91	MR26090C44AH49R	90	85	90 x 48 x 125	3.54 x 1.89 x 4.92
MR25100C44AE59R	100	85	60 x 150	2.36 x 5.91	MR26100C44AH59R	100	85	90 x 48 x 150	3.54 x 1.89 x 5.91

SINGLE CAPACITORS 450VAC 50/60HZ									
ROUND					OVAL				
Part Number	CAP 1 μ F	Temp $^{\circ}$ C	Case (mm)	Case (inch)	Part Number	CAP 1 μ F	Temp $^{\circ}$ C	Case (mm)	Case (inch)
MR2502AC45AA17R	2.5	70	40 x 45	1.57 x 1.77	MR2602AC45AE17R	2.5	70	52.5 x 32.5 x 45	2.07 x 1.28 x 1.77
MR25003C45AA21R	3	70	40 X 55	1.57 X 2.17	MR26003C45AE21R	3	70	52.5 X 32.5 X 55	2.07 x 1.28 x 2.17
MR25004C45AA21R	4	70	40 X 55	1.57 X 2.17	MR26004C45AE21R	4	70	52.5 X 32.5 X 55	2.07 x 1.28 x 2.17
MR25005C45AA21R	5	70	40 x 55	1.57 x 2.17	MR26005C45AE21R	5	70	52.5 x 32.5 x 55	2.07 x 1.28 x 2.17
MR2507AC45AA21R	7.5	70	40 x 55	1.57 x 2.17	MR2607AC45AE21R	7.5	70	52.5 x 32.5 x 55	2.07 x 1.28 x 2.17
MR25010C45AB21R	10	70	45 x 55	1.77 x 2.17	MR26010C45AE25R	10	70	52.5 x 32.5 x 65	2.07 x 1.28 x 2.56
MR25015C45AB25R	15	85	45 x 65	1.77 x 2.56	MR26015C45AE29R	15	85	52.5 x 32.5 x 75	2.07 x 1.28 x 2.95
MR25020C45AB29R	20	85	45 x 75	1.77 x 2.95	MR26020C45AF25R	20	85	70 x 45 x 65	2.76 x 1.77 x 2.56
MR25025C45AC29R	25	85	50 x 75	1.97 x 2.95	MR26025C45AF29R	25	85	70 x 45 x 75	2.76 x 1.77 x 2.95
MR25025C45AC33R	30	85	50 x 85	1.97 x 3.35	MR26030C45AF33R	30	85	70 x 45 x 85	2.76 x 1.77 x 3.35
MR25035C45AC39R	35	85	50 x 100	1.97 x 3.94	MR26035C45AF33R	35	85	70 x 45 x 85	2.76 x 1.77 x 3.35
MR25040C45AC39R	40	85	50 x 100	1.97 x 3.94	MR26040C45AF39R	40	85	70 x 45 x 100	2.76 x 1.77 x 3.94
MR25045C45AD39R	45	85	55 x 100	2.17 x 3.94	MR26045C45AF39R	45	85	70 x 45 x 100	2.76 x 1.77 x 3.94
MR25050C45AD39R	50	85	55 x 100	2.17 x 3.94	MR26050C45AF45R	50	85	70 x 45 x 115	2.76 x 1.77 x 4.53
MR25055C45AD45R	55	85	55 x 115	2.17 x 4.53	MR26055C45AF45R	55	85	70 x 45 x 115	2.76 x 1.77 x 4.53
MR25060C45AD45R	60	85	55 x 115	2.17 x 4.53	MR26060C45AF53R	60	85	70 x 45 x 135	2.76 x 1.77 x 5.31
MR25065C45AE45R	65	85	60 x 115	2.36 x 4.53	MR26065C45AF53R	65	85	70 x 45 x 135	2.76 x 1.77 x 5.31
MR25070C45AE45R	70	85	60 x 115	2.36 x 4.53	MR26070C45AH59R	70	85	70 x 45 x 150	2.76 x 1.77 x 5.91
MR25075C45AE45R	75	85	60 x 115	2.36 x 4.53	MR26075C45AH45R	75	85	90 x 48 x 115	3.54 x 1.89 x 4.53
MR25080C45AE49R	80	85	60 x 125	2.36 x 4.92	MR26080C45AH45R	80	85	90 x 48 x 115	3.54 x 1.89 x 4.53
MR25090C45AE59R	90	85	60 x 150	2.36 x 5.91	MR26090C45AH49R	90	85	90 x 48 x 125	3.54 x 1.89 x 4.92
MR25100C45AE59R	100	85	60 x 150	2.36 x 5.91	MR26100C45AH59R	100	85	90 x 48 x 150	3.54 x 1.89 x 5.91

DUAL CAPACITORS 240VAC 50/60HZ											
ROUND						OVAL					
Part Number	CAP 1 μ F	CAP 2 μ F	Temp $^{\circ}$ C	Case (mm)	Case (inch)	Part Number	CAP 1 μ F	CAP 2 μ F	Temp $^{\circ}$ C	Case (mm)	Case (inch)
MR401505C24AC31R	15	5	85	50 x 80	1.97 x 3.15	MR411505C24AF25R	15	5	85	70 x 45 x 65	2.76 x 1.77 x 2.56
MR402005C24AC35R	20	5	85	50 x 90	1.97 x 3.54	MR412005C24AF33R	20	5	85	70 x 45 x 85	2.76 x 1.77 x 3.35
MR402505C24AC35R	25	5	85	50 x 90	1.97 x 3.54	MR412505C24AF33R	25	5	85	70 x 45 x 85	2.76 x 1.77 x 3.35
MR403005C24AD35R	30	5	85	55 x 90	2.17 x 3.54	MR413005C24AF39R	30	5	85	70 x 45 x 100	2.76 x 1.77 x 3.94
MR403505C24AD37R	35	5	85	55 x 95	2.17 x 3.74	MR413505C24AF39R	35	5	85	70 x 45 x 100	2.76 x 1.77 x 3.94
MR403506C24AD39R	35	6	85	55 x 100	2.17 x 3.94	MR414005C24AF39R	40	5	85	70 x 45 x 100	2.76 x 1.77 x 3.94
MR404005C24AE35R	40	5	85	60 x 90	2.36 x 3.54	MR41407AC24AF39R	40	7.5	85	70 x 45 x 100	2.76 x 1.77 x 3.94
MR40407AC24AE35R	40	7.5	85	60 x 90	2.36 x 3.54	MR414505C24AF45R	45	5	85	70 x 45 x 115	2.76 x 1.77 x 4.53
MR404505C24AE37R	45	5	85	60 x 95	2.36 x 3.74	MR41457AC24AF45R	45	7.5	85	70 x 45 x 115	2.76 x 1.77 x 4.53
MR40457AC24AE39R	45	7.5	85	60 x 100	2.36 x 3.94	MR415005C24AF45R	50	5	85	70 x 45 x 115	2.76 x 1.77 x 4.53
MR405005C24AE41R	50	5	85	60 x 105	2.36 x 4.13	MR41507AC24AF49R	50	7.5	85	70 x 45 x 125	2.76 x 1.77 x 4.92
MR40507AC24AE41R	50	7.5	85	60 x 105	2.36 x 4.13	MR415505C24AH39R	55	5	85	90 x 48 x 100	3.54 x 1.89 x 3.94
MR405505C24AE49R	55	5	85	60 x 125	2.36 x 4.92	MR41557AC24AH39R	55	7.5	85	90 x 48 x 100	3.54 x 1.89 x 3.94
MR40557AC24AE49R	55	7.5	85	60 x 125	2.36 x 4.92	MR416005C24AH45R	60	5	85	90 x 48 x 115	3.54 x 1.89 x 4.53
MR406005C24AE49R	60	5	85	60 x 125	2.36 x 4.92	MR41607AC24AH45R	60	7.5	85	90 x 48 x 115	3.54 x 1.89 x 4.53
MR40607AC24AE49R	60	7.5	85	60 x 125	2.36 x 4.92	MR416505C24AH45R	65	5	85	90 x 48 x 115	3.54 x 1.89 x 4.53
MR406505C24AE53R	65	5	85	60 x 135	2.36 x 5.31	MR41657AC24AH49R	65	7.5	85	90 x 48 x 125	3.54 x 1.89 x 4.92
MR40657AC24AE53R	65	7.5	85	60 x 135	2.36 x 5.31	MR417005C24AH53R	70	5	85	90 x 48 x 135	3.54 x 1.89 x 5.31
MR407005C24AE53R	70	5	85	60 x 135	2.36 x 5.31	MR41707AC24AH53R	70	7.5	85	90 x 48 x 135	3.54 x 1.89 x 5.31
MR40707AC24AE53R	70	7.5	85	60 x 135	2.36 x 5.31	MR41757AC24AH53R	75	7.5	85	90 x 48 x 135	3.54 x 1.89 x 5.31
MR40757AC24AE57R	75	7.5	85	60 x 145	2.36 x 5.71	MR418005C24AH57R	80	5	85	90 x 48 x 145	3.54 x 1.89 x 5.71
MR408005C24AE59R	80	5	85	60 x 150	2.36 x 5.91	MR41807AC24AH57R	80	7.5	85	90 x 48 x 145	3.54 x 1.89 x 5.71
MR40807AC24AE59R	80	7.5	85	60 x 150	2.36 x 5.91						

DUAL CAPACITORS 370VAC 50/60HZ											
ROUND						OVAL					
Part Number	CAP 1 μ F	CAP 2 μ F	Temp $^{\circ}$ C	Case (mm)	Case (inch)	Part Number	CAP 1 μ F	CAP 2 μ F	Temp $^{\circ}$ C	Case (mm)	Case (inch)
MR401505C37AC31R	15	5	85	50 x 80	1.97 x 3.15	MR411505C37AF25R	15	5	85	70 x 45 x 65	2.76 x 1.77 x 2.56
MR402005C37AC35R	20	5	85	50 x 90	1.97 x 3.54	MR412005C37AF33R	20	5	85	70 x 45 x 85	2.76 x 1.77 x 3.35
MR402505C37AC35R	25	5	85	50 x 90	1.97 x 3.54	MR412505C37AF33R	25	5	85	70 x 45 x 85	2.76 x 1.77 x 3.35
MR403005C37AD35R	30	5	85	55 x 90	2.17 x 3.54	MR413005C37AF39R	30	5	85	70 x 45 x 100	2.76 x 1.77 x 3.94
MR403505C37AD37R	35	5	85	55 x 95	2.17 x 3.74	MR413505C37AF39R	35	5	85	70 x 45 x 100	2.76 x 1.77 x 3.94
MR403506C37AD39R	35	6	85	55 x 100	2.17 x 3.94	MR414005C37AF39R	40	5	85	70 x 45 x 100	2.76 x 1.77 x 3.94
MR404005C37AE35R	40	5	85	60 x 90	2.36 x 3.54	MR41407AC37AF39R	40	7.5	85	70 x 45 x 100	2.76 x 1.77 x 3.94
MR40407AC37AE35R	40	7.5	85	60 x 90	2.36 x 3.54	MR414505C37AF45R	45	5	85	70 x 45 x 115	2.76 x 1.77 x 4.53
MR404505C37AE37R	45	5	85	60 x 95	2.36 x 3.74	MR41457AC37AF45R	45	7.5	85	70 x 45 x 115	2.76 x 1.77 x 4.53
MR40457AC37AE39R	45	7.5	85	60 x 100	2.36 x 3.94	MR415005C37AF45R	50	5	85	70 x 45 x 115	2.76 x 1.77 x 4.53
MR405005C37AE41R	50	5	85	60 x 105	2.36 x 4.13	MR41507AC37AF49R	50	7.5	85	70 x 45 x 125	2.76 x 1.77 x 4.92
MR40507AC37AE41R	50	7.5	85	60 x 105	2.36 x 4.13	MR415505C37AH39R	55	5	85	90 x 48 x 100	3.54 x 1.89 x 3.94
MR405505C37AE49R	55	5	85	60 x 125	2.36 x 4.92	MR41557AC37AH39R	55	7.5	85	90 x 48 x 100	3.54 x 1.89 x 3.94
MR40557AC37AE49R	55	7.5	85	60 x 125	2.36 x 4.92	MR416005C37AH45R	60	5	85	90 x 48 x 115	3.54 x 1.89 x 4.53
MR406005C37AE49R	60	5	85	60 x 125	2.36 x 4.92	MR41607AC37AH45R	60	7.5	85	90 x 48 x 115	3.54 x 1.89 x 4.53
MR40607AC37AE49R	60	7.5	85	60 x 125	2.36 x 4.92	MR416505C37AH45R	65	5	85	90 x 48 x 115	3.54 x 1.89 x 4.53
MR406505C37AE53R	65	5	85	60 x 135	2.36 x 5.31	MR41657AC37AH49R	65	7.5	85	90 x 48 x 125	3.54 x 1.89 x 4.92
MR40657AC37AE53R	65	7.5	85	60 x 135	2.36 x 5.31	MR417005C37AH53R	70	5	85	90 x 48 x 135	3.54 x 1.89 x 5.31
MR407005C37AE53R	70	5	85	60 x 135	2.36 x 5.31	MR41707AC37AH53R	70	7.5	85	90 x 48 x 135	3.54 x 1.89 x 5.31
MR40707AC37AE53R	70	7.5	85	60 x 135	2.36 x 5.31	MR41757AC37AH53R	75	7.5	85	90 x 48 x 135	3.54 x 1.89 x 5.31
MR40757AC37AE57R	75	7.5	85	60 x 145	2.36 x 5.71	MR418005C37AH57R	80	5	85	90 x 48 x 145	3.54 x 1.89 x 5.71
MR408005C37AE59R	80	5	85	60 x 150	2.36 x 5.91	MR41807AC37AH57R	80	7.5	85	90 x 48 x 145	3.54 x 1.89 x 5.71
MR40807AC37AE59R	80	7.5	85	60 x 150	2.36 x 5.91						

DUAL CAPACITORS 440VAC 50/60HZ											
ROUND						OVAL					
Part Number	CAP 1 μ F	CAP 2 μ F	Temp $^{\circ}$ C	Case (mm)	Case (inch)	Part Number	CAP 1 μ F	CAP 2 μ F	Temp $^{\circ}$ C	Case (mm)	Case (inch)
MR401505C44AC31R	15	5	85	50 x 80	1.97 x 3.15	MR411505C44AF25R	15	5	85	70 x 45 x 65	2.76 x 1.77 x 2.56
MR402005C44AC35R	20	5	85	50 x 90	1.97 x 3.54	MR412005C44AF33R	20	5	85	70 x 45 x 85	2.76 x 1.77 x 3.35
MR402505C44AC35R	25	5	85	50 x 90	1.97 x 3.54	MR412505C44AF33R	25	5	85	70 x 45 x 85	2.76 x 1.77 x 3.35
MR403005C44AD35R	30	5	85	55 x 90	2.17 x 3.54	MR413005C44AF39R	30	5	85	70 x 45 x 100	2.76 x 1.77 x 3.94
MR403505C44AD37R	35	5	85	55 x 95	2.17 x 3.74	MR413505C44AF39R	35	5	85	70 x 45 x 100	2.76 x 1.77 x 3.94
MR403506C44AD39R	35	6	85	55 x 100	2.17 x 3.94	MR414005C44AF39R	40	5	85	70 x 45 x 100	2.76 x 1.77 x 3.94
MR404005C44AE35R	40	5	85	60 x 90	2.36 x 3.54	MR41407AC44AF39R	40	7.5	85	70 x 45 x 100	2.76 x 1.77 x 3.94
MR40407AC44AE35R	40	7.5	85	60 x 90	2.36 x 3.54	MR414505C44AF45R	45	5	85	70 x 45 x 115	2.76 x 1.77 x 4.53
MR404505C44AE37R	45	5	85	60 x 95	2.36 x 3.74	MR41457AC44AF45R	45	7.5	85	70 x 45 x 115	2.76 x 1.77 x 4.53
MR40457AC44AE39R	45	7.5	85	60 x 100	2.36 x 3.94	MR415005C44AF45R	50	5	85	70 x 45 x 115	2.76 x 1.77 x 4.53
MR405005C44AE41R	50	5	85	60 x 105	2.36 x 4.13	MR41507AC44AF49R	50	7.5	85	70 x 45 x 125	2.76 x 1.77 x 4.92
MR40507AC44AE41R	50	7.5	85	60 x 105	2.36 x 4.13	MR415505C44AH39R	55	5	85	90 x 48 x 100	3.54 x 1.89 x 3.94
MR405505C44AE49R	55	5	85	60 x 125	2.36 x 4.92	MR41557AC44AH39R	55	7.5	85	90 x 48 x 100	3.54 x 1.89 x 3.94
MR40557AC44AE49R	55	7.5	85	60 x 125	2.36 x 4.92	MR416005C44AH45R	60	5	85	90 x 48 x 115	3.54 x 1.89 x 4.53
MR406005C44AE49R	60	5	85	60 x 125	2.36 x 4.92	MR41607AC44AH45R	60	7.5	85	90 x 48 x 115	3.54 x 1.89 x 4.53
MR40607AC44AE49R	60	7.5	85	60 x 125	2.36 x 4.92	MR416505C44AH45R	65	5	85	90 x 48 x 115	3.54 x 1.89 x 4.53
MR406505C44AE53R	65	5	85	60 x 135	2.36 x 5.31	MR41657AC44AH49R	65	7.5	85	90 x 48 x 125	3.54 x 1.89 x 4.92
MR40657AC44AE53R	65	7.5	85	60 x 135	2.36 x 5.31	MR417005C44AH53R	70	5	85	90 x 48 x 135	3.54 x 1.89 x 5.31
MR407005C44AE53R	70	5	85	60 x 135	2.36 x 5.31	MR41707AC44AH53R	70	7.5	85	90 x 48 x 135	3.54 x 1.89 x 5.31
MR40707AC44AE53R	70	7.5	85	60 x 135	2.36 x 5.31	MR41757AC44AH53R	75	7.5	85	90 x 48 x 135	3.54 x 1.89 x 5.31
MR40757AC44AE57R	75	7.5	85	60 x 145	2.36 x 5.71	MR418005C44AH57R	80	5	85	90 x 48 x 145	3.54 x 1.89 x 5.71
MR408005C44AE59R	80	5	85	60 x 150	2.36 x 5.91	MR41807AC44AH57R	80	7.5	85	90 x 48 x 145	3.54 x 1.89 x 5.71
MR40807AC44AE59R	80	7.5	85	60 x 150	2.36 x 5.91						

DUAL CAPACITORS 450VAC 50/60HZ											
ROUND						OVAL					
Part Number	CAP 1 μ F	CAP 2 μ F	Temp $^{\circ}$ C	Case (mm)	Case (inch)	Part Number	CAP 1 μ F	CAP 2 μ F	Temp $^{\circ}$ C	Case (mm)	Case (inch)
MR401505C45AC31R	15	5	85	50 x 80	1.97 x 3.15	MR411505C45AF25R	15	5	85	70 x 45 x 65	2.76 x 1.77 x 2.56
MR402005C45AC35R	20	5	85	50 x 90	1.97 x 3.54	MR412005C45AF33R	20	5	85	70 x 45 x 85	2.76 x 1.77 x 3.35
MR402505C45AC35R	25	5	85	50 x 90	1.97 x 3.54	MR412505C45AF33R	25	5	85	70 x 45 x 85	2.76 x 1.77 x 3.35
MR403005C45AD35R	30	5	85	55 x 90	2.17 x 3.54	MR413005C45AF39R	30	5	85	70 x 45 x 100	2.76 x 1.77 x 3.94
MR403505C45AD37R	35	5	85	55 x 95	2.17 x 3.74	MR413505C45AF39R	35	5	85	70 x 45 x 100	2.76 x 1.77 x 3.94
MR403506C45AD39R	35	6	85	55 x 100	2.17 x 3.94	MR414005C45AF39R	40	5	85	70 x 45 x 100	2.76 x 1.77 x 3.94
MR404005C45AE35R	40	5	85	60 x 90	2.36 x 3.54	MR41407AC45AF39R	40	7.5	85	70 x 45 x 100	2.76 x 1.77 x 3.94
MR40407AC45AE35R	40	7.5	85	60 x 90	2.36 x 3.54	MR414505C45AF45R	45	5	85	70 x 45 x 115	2.76 x 1.77 x 4.53
MR404505C45AE37R	45	5	85	60 x 95	2.36 x 3.74	MR41457AC45AF45R	45	7.5	85	70 x 45 x 115	2.76 x 1.77 x 4.53
MR40457AC45AE39R	45	7.5	85	60 x 100	2.36 x 3.94	MR415005C45AF45R	50	5	85	70 x 45 x 115	2.76 x 1.77 x 4.53
MR405005C45AE41R	50	5	85	60 x 105	2.36 x 4.13	MR41507AC45AF49R	50	7.5	85	70 x 45 x 125	2.76 x 1.77 x 4.92
MR40507AC45AE41R	50	7.5	85	60 x 105	2.36 x 4.13	MR415505C45AH39R	55	5	85	90 x 48 x 100	3.54 x 1.89 x 3.94
MR405505C45AE49R	55	5	85	60 x 125	2.36 x 4.92	MR41557AC45AH39R	55	7.5	85	90 x 48 x 100	3.54 x 1.89 x 3.94
MR40557AC45AE49R	55	7.5	85	60 x 125	2.36 x 4.92	MR416005C45AH45R	60	5	85	90 x 48 x 115	3.54 x 1.89 x 4.53
MR406005C45AE49R	60	5	85	60 x 125	2.36 x 4.92	MR41607AC45AH45R	60	7.5	85	90 x 48 x 115	3.54 x 1.89 x 4.53
MR40607AC45AE49R	60	7.5	85	60 x 125	2.36 x 4.92	MR416505C45AH45R	65	5	85	90 x 48 x 115	3.54 x 1.89 x 4.53
MR406505C45AE53R	65	5	85	60 x 135	2.36 x 5.31	MR41657AC45AH49R	65	7.5	85	90 x 48 x 125	3.54 x 1.89 x 4.92
MR40657AC45AE53R	65	7.5	85	60 x 135	2.36 x 5.31	MR417005C45AH53R	70	5	85	90 x 48 x 135	3.54 x 1.89 x 5.31
MR407005C45AE53R	70	5	85	60 x 135	2.36 x 5.31	MR41707AC45AH53R	70	7.5	85	90 x 48 x 135	3.54 x 1.89 x 5.31
MR40707AC45AE53R	70	7.5	85	60 x 135	2.36 x 5.31	MR41757AC45AH53R	75	7.5	85	90 x 48 x 135	3.54 x 1.89 x 5.31
MR40757AC45AE57R	75	7.5	85	60 x 145	2.36 x 5.71	MR418005C45AH57R	80	5	85	90 x 48 x 145	3.54 x 1.89 x 5.71
MR408005C45AE59R	80	5	85	60 x 150	2.36 x 5.91	MR41807AC45AH57R	80	7.5	85	90 x 48 x 145	3.54 x 1.89 x 5.71
MR40807AC45AE59R	80	7.5	85	60 x 150	2.36 x 5.91						

Single Capacitors

CAP 1 μ F	CAP 2 μ F	Style	Box QTY	Box Dims (inch)	Carton size(cm)	CAP 1 μ F	CAP 2 μ F	Style	Box QTY	Box Dims (inch)	Carton size(cm)
2.5	-	Round	100	19 x 13 x 6	48 x 32 x 16	2.5	-	Oval	100	19 x 13 x 6	48 x 32 x 16
3	-	Round	100	19 x 13 x 6	48 x 32 x 16	3	-	Oval	100	19 x 13 x 6	48 x 32 x 16
4	-	Round	100	19 x 13 x 6	48 x 32 x 16	4	-	Oval	100	19 x 13 x 6	48 x 32 x 16
5	-	Round	100	19 x 13 x 6	48 x 32 x 16	5	-	Oval	100	19 x 13 x 6	48 x 32 x 16
7.5	-	Round	100	19 x 13 x 6	48 x 32 x 16	7.5	-	Oval	100	19 x 13 x 6	48 x 32 x 16
10	-	Round	100	19 x 13 x 6	48 x 32 x 16	10	-	Oval	50	19 x 13 x 5	48 x 32 x 13
15	-	Round	50	19 x 13 x 6	48 x 32 x 16	15	-	Oval	50	19 x 13 x 5	48 x 32 x 13
20	-	Round	50	19 x 13 x 6	48 x 32 x 16	20	-	Oval	25	19 x 13 x 5	48 x 32 x 13
25	-	Round	50	19 x 13 x 6	48 x 32 x 16	25	-	Oval	25	19 x 13 x 5	48 x 32 x 13
30	-	Round	50	19 x 13 x 6	48 x 32 x 16	30	-	Oval	25	19 x 13 x 5	48 x 32 x 13
35	-	Round	50	19 x 13 x 6	48 x 32 x 16	35	-	Oval	25	19 x 13 x 5	48 x 32 x 13
40	-	Round	50	19 x 13 x 6	48 x 32 x 16	40	-	Oval	25	19 x 13 x 6	48 x 32 x 16
45	-	Round	40	19 x 13 x 6	48 x 32 x 16	45	-	Oval	25	19 x 13 x 7	48 x 32 x 16
50	-	Round	40	19 x 13 x 6	48 x 32 x 16	50	-	Oval	25	19 x 13 x 6	48 x 32 x 16
55	-	Round	40	19 x 13 x 6	48 x 32 x 16	55	-	Oval	25	19 x 13 x 6	48 x 32 x 16
60	-	Round	40	19 x 13 x 6	48 x 32 x 16	60	-	Oval	25	19 x 13 x 8	48 x 32 x 19.5
65	-	Round	30	19 x 13 x 6	48 x 32 x 16	65	-	Oval	25	19 x 13 x 8	48 x 32 x 19.5
70	-	Round	30	19 x 13 x 6	48 x 32 x 16	70	-	Oval	25	19 x 13 x 8	48 x 32 x 19.5
75	-	Round	30	19 x 13 x 6	48 x 32 x 16	75	-	Oval	25	19 x 13 x 6	48 x 32 x 16
80	-	Round	30	19 x 13 x 6	48 x 32 x 16	80	-	Oval	25	19 x 13 x 6	48 x 32 x 16
90	-	Round	16	13 x 13 x 7	32 x 32 x 18.5	90	-	Oval	25	19 x 13 x 6	48 x 32 x 16
100	-	Round	16	13 x 13 x 7	32 x 32 x 18.5	100	-	Oval	25	19 x 13 x 8	48 x 32 x 19.5

Dual Capacitors

CAP 1 μ F	CAP 2 μ F	Style	Box QTY	Box Dims (inch)	Carton size(cm)	CAP 1 μ F	CAP 2 μ F	Style	Box QTY	Box Dims (inch)	Carton size(cm)
15	5	Round	50	19 x 13 x 5	48 x 32 x 13	15	5	Oval	25	19 x 13 x 5	48 x 32 x 13
20	5	Round	50	19 x 13 x 6	48 x 32 x 16	20	5	Oval	25	19 x 13 x 5	48 x 32 x 13
25	5	Round	50	19 x 13 x 6	48 x 32 x 16	25	5	Oval	25	19 x 13 x 5	48 x 32 x 13
30	5	Round	40	19 x 13 x 6	48 x 32 x 16	30	5	Oval	25	19 x 13 x 6	48 x 32 x 16
35	5	Round	40	19 x 13 x 6	48 x 32 x 16	35	5	Oval	25	19 x 13 x 6	48 x 32 x 16
35	6	Round	40	19 x 13 x 6	48 x 32 x 16	N/A					
40	5	Round	30	19 x 13 x 6	48 x 32 x 16	40	5	Oval	25	19 x 13 x 6	48 x 32 x 16
40	7.5	Round	30	19 x 13 x 6	48 x 32 x 16	40	7.5	Oval	25	19 x 13 x 6	48 x 32 x 16
45	5	Round	30	19 x 13 x 6	48 x 32 x 16	45	5	Oval	25	19 x 13 x 6	48 x 32 x 16
45	7.5	Round	30	19 x 13 x 6	48 x 32 x 16	45	7.5	Oval	25	19 x 13 x 6	48 x 32 x 16
50	5	Round	30	19 x 13 x 6	48 x 32 x 16	50	5	Oval	25	19 x 13 x 6	48 x 32 x 16
50	7.5	Round	30	19 x 13 x 6	48 x 32 x 16	50	7.5	Oval	25	19 x 13 x 6	48 x 32 x 16
55	5	Round	30	19 x 13 x 6	48 x 32 x 16	55	5	Oval	25	19 x 13 x 6	48 x 32 x 16
55	7.5	Round	30	19 x 13 x 6	48 x 32 x 16	55	7.5	Oval	25	19 x 13 x 6	48 x 32 x 16
60	5	Round	30	19 x 13 x 6	48 x 32 x 16	60	5	Oval	25	19 x 13 x 6	48 x 32 x 16
60	7.5	Round	30	19 x 13 x 6	48 x 32 x 16	60	7.5	Oval	25	19 x 13 x 6	48 x 32 x 16
65	5	Round	16	13 x 13 x 7	32 x 32 x 18.5	65	5	Oval	25	19 x 13 x 6	48 x 32 x 16
65	7.5	Round	16	13 x 13 x 7	32 x 32 x 18.5	65	7.5	Oval	25	19 x 13 x 8	48 x 32 x 19.5
70	5	Round	16	13 x 13 x 7	32 x 32 x 18.5	70	5	Oval	25	19 x 13 x 8	48 x 32 x 19.5
70	7.5	Round	16	13 x 13 x 7	32 x 32 x 18.5	70	7.5	Oval	25	19 x 13 x 8	48 x 32 x 19.5
75	7.5	Round	16	13 x 13 x 7	32 x 32 x 18.5	75	7.5	Oval	25	19 x 13 x 8	48 x 32 x 19.5
80	5	Round	16	13 x 13 x 7	32 x 32 x 18.5	80	5	Oval	25	19 x 13 x 8	48 x 32 x 19.5
80	7.5	Round	16	13 x 13 x 7	32 x 32 x 18.5	80	7.5	Oval	25	19 x 13 x 8	48 x 32 x 19.5

Terms of Sale -

- Terms of sale are subject to the terms and conditions set forth prior to initial order and as stipulated in the order acknowledgment.

Payment Terms -

- All payment terms are negotiated at time of proposal. A credit application must be completed and approved for open terms. For international customers, terms will be Irrevocable Letter of credit or pre-payment. Major credit cards are accepted.

Cancellation policy -

- Orders must be cancelled 3 weeks prior to the scheduled delivery date stipulated in the order acknowledgment. Failure to comply will result in a re-stocking penalty of 25% of order value.

Freight Cost -

- Freight cost will be the responsibility of the customer. ERAVCO will select the freight carrier and forwarder unless otherwise specified by the customer.

Return Policy -

- All returns for warranty replacement or credit will not be accepted without an RAN (Return Authorization Number). Please contact ERAVCO customer service to obtain the RAN#. Material received without an RAN number will be returned back to the customer at the customer's expense.

Warranty -

- One year manufacturing warranty.

ERAVCO reserves the right to revise its terms & conditions without written notice



American Standard Capacitors